

FLANGED TYPE BUTTERFLY VALVE , PN 10/ 16

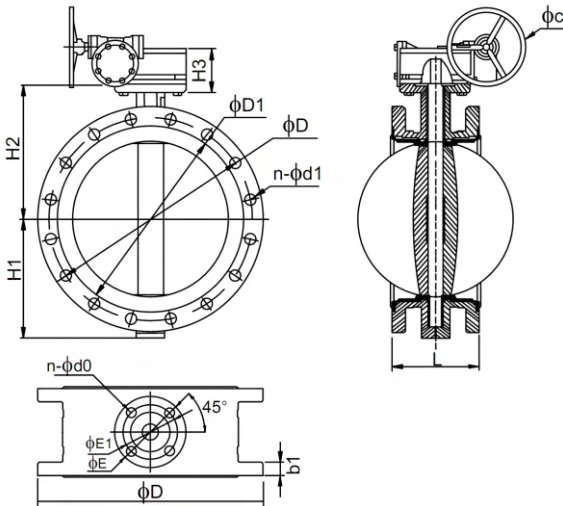


Technical Date

- *Size: DN50(2")-DN1400(56")
- *Nominal Pressure: PN10
- *Working Temperature: -10°C-+120°C
- *Suitable Mediums: Fresh water, Sewage, Sea, water, Air, Oil, Acids, Alkalis, Salts, etc

Standard

- *Design& Manufacture acc. to API 609, MSS SP-67 BS 5 155 BS EN593.
- *Faca to Face acc. to DIN3202, API609, MSS SP-67, BS5155, BS
- *EN558, ISO 5752.
- *Top Flange acc. to ISO5211.
- *Pressure test acc. to API598, BS EN12266-1, DIN3230, BS5155
- Side Flange acc. to DIN2501, ANSI125/150, AS2129, BS4505.
- BS 10D&E, JIS 10K.



MATERIAL LIST & DIMENSION

NO	Part	Material	QTY
1	Hex.bolt	Carbon seel	2
2	Spring gasket	spring steel	2
3	O ring	EPDM	1
4	Gasket	Stainless steel	1
5	End plate	GGG50	1
6	Bushing	Lubricated bronze	4
7	Disc	GGG40	1
8	Shaft	SS410	1
9	Taper pin	SS304	2
10	Seat	DPDM	1
11	Body	GGG50	1
12	O ring	EPDM	1

Size	L	φD	φD1	n - φd1	b1	H1	H2	H3	φc	φE	φE1	n - φd0	Flange No.
DN 100	52	220	180	8-18	13	114	200	32	15.77	90	70	4-10	F07
DN 125	54.36	250	210	8-18	16	127	213	32	18.92	90	70	4-10	F07
DN 150	55.7	285	240	8-22	16	139	226	32	18.92	90	70	4-10	F07
DN 200	60.1	340	295	12-22	19	175	260	40	22.1	125	10	4-12	F10
DN 250	65.63	405	355	12-26	19	203	292	40	28.45	125	102	4-12	F10
DN 300	76.5	460	410	12-26	24	242	337	40	31.6	125	102	4-12	F10
DN 350	76	520	470	16-26	26	267	368	45	31.6	125	102	4-12	F10
DN 400	86	580	525	16-30	28	297	400	51.2	33.15	175	140	4-18	F14
DN 450	105	640	585	20-30	30	318	422	51.2	D38	175	140	4-18	F14
DN 500	127	715	650	20-33	30	348	480	64.2	41.15	175	140	4-18	F14
DN 600	151	840	770	20-36	31	444	562	70.2	50.65	210	165	4-22	F16
DN 700	162	910	840	24-36	35	505	623.9	66	63.35/55	300	254	8-18	F25
DN 750	166	975	900	24-36	35	520	646	66	63.35/55	300	254	8-18	F25
DN 800	187	1025	950	24-39	39	565	672	68	63.35/55	300	254	8-18	F25
DN 900	202	1125	1050	28-39	41	637	720	118	75	300	254	8-18	F25
DN 1000	215	1255	1170	28-42	45	700	800	142	85	300	254	8-18	F25
DN 1200	276	1485	1390	32-48	54	844.1	940.7	160	105	350	254	8-18	F30