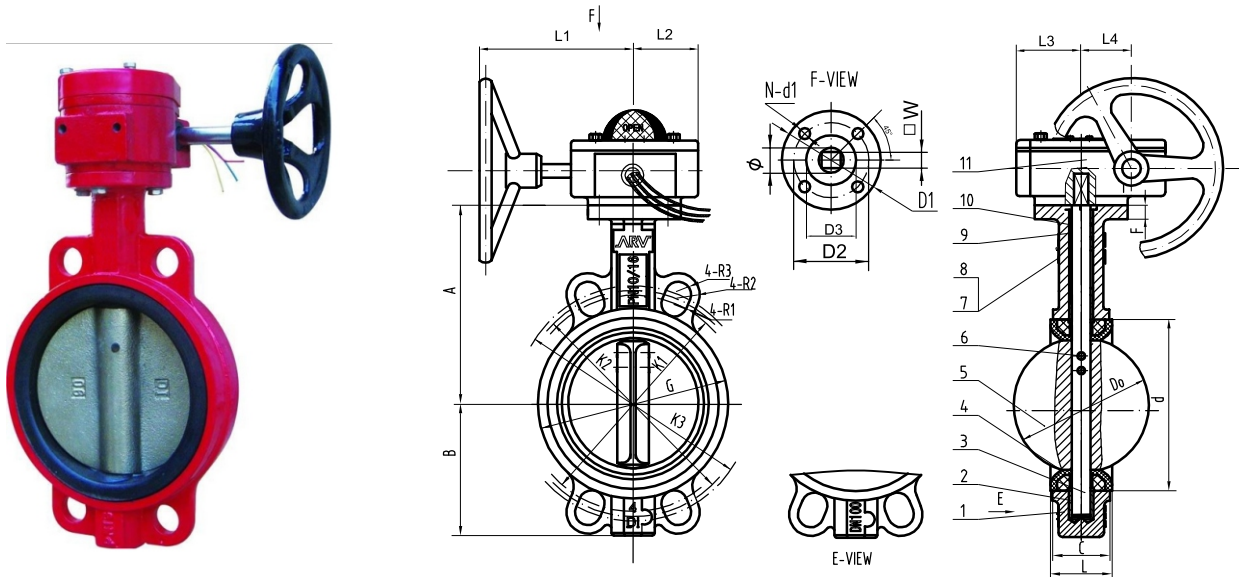


## WAFER TYPE BUTTERFLY VALVE. PN10/PN16 -WITH SWITCHER GEAR OPERATOR (SIGNAL GEARBOX).



### Technical Specifications

DN40-DN300			
Design According:	EN593, API609	Nominal Pressure:	PN10 – PN16
Face to Face According:	EN558-1	Top Flange Std.:	ISO5211
End Flange:	EN1092-2, AISI B16.1	Nominal Pressure:	1.6 Mpa
Tests:	EN12266	Shell:	2.4 Mpa
Working Temp.:	-0 ~ +120 °C	Sealing:	1.76 Mpa
Coating:	Fusion Bond Epoxy	Range of Application:	Water, Sea Water, Air, Etc...

### Materials List

Item	Part Name	Material	Item	Part Name	Material
1	Body	Ductile Iron	2	Long Bushing	PTFE
3	Stem	SS410	4	Seat	EPDM
5	Disc	Ductile Iron	6	Upper Pin	SS420
7	Rivet	L3	8	Tag	SS304
9	Short Bushing	PTFE	10	O-Ring	NBR
11	Gear Operating	Cast Iron			

### Dimensions

PN10/PN16/ANSI 150																								
DN mm	A mm	B mm	Do mm	C mm	L mm	G mm	d mm	K1	K2	ANSI	4-R1	4-R2	4-R3	F mm	D1 mm	D2 mm	D3 mm	N-d1 mm	Ø mm	W mm	L1 mm	L2 mm	L3 mm	L4 mm
								PN10	PN16		ANSI	PN10	PN16											
40	125	73	43	33	35	88	72	110	110	96.8	4-10	4-10	4-8.4	12	65	50	35	4-7	12.6	9	155	52	87	75
50	125	73	52	43	46	93	76	125	125	120.6	4-10	4-10	4-10	12	65	50	35	4-7	12.6	9	155	52	87	75
65	136	82	64	46	49	108	89	145	145	139.7	4-10	4-10	4-10	12	65	50	35	4-7	12.6	9	155	52	87	75
80	142	91	79	46	49	123	104	160	160	152.4	4-10	4-10	4-10	12	65	50	35	4-7	12.6	11	155	52	87	75
100	163	107	104	52	55	154	135	180	180	190.5	4-10	4-10	4-10	12	90	70	55	4-10	15.7	14	155	52	87	75
125	176	107	123	56	59	180	159	210	210	215.9	4-10	4-10	4-11.7	12	90	70	55	4-10	18.92	14	155	52	87	75
150	197	127	156	56	59	210	188	240	240	241.3	4-10	4-10	4-11.7	12	90	70	55	4-10	18.92	17	155	52	87	75
200	230	143	202	60	64	263	238	295	295	298.5	4-12	4-12	4-11.7	15	125	102	70	4-12	22.10	17	237	76	76	63
250	268	165	256	66	70	311	289	350	355	355.7	4-12	4-12	4-13.5	15	125	102	70	4-12	22.10	21	237	76	76	63
300	293	185	306	73	78	362	352	400	410	412.9	4-12	4-12	4-13.5	15	125	102	70	4-12	22.10	21	237	76	76	63