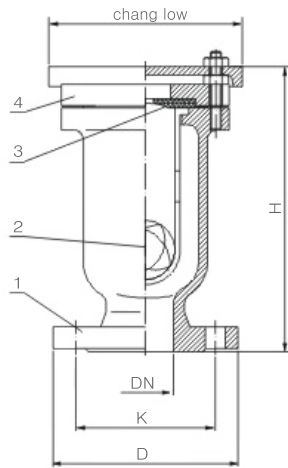


SINGLE BALL RELEASE VALVE, PN10/16

APPLICATION

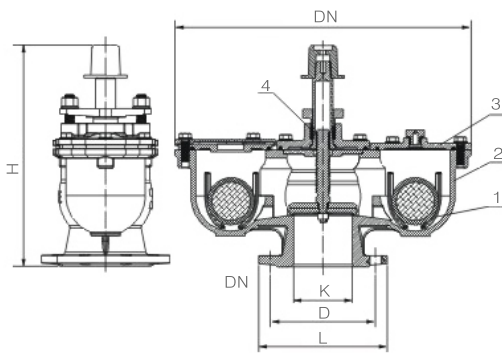
SIZE	DN50 - 200
CLASS	PN10/16 CL 125/150
DESIGN	EN 1074-4
END FLANGE	EN 1092-2, ASME B16.1/ B16.42, AS4087
TESTS	EN 12266

MATERIAL LIST

STANDARD MATERIALS OF MAIN PARTS			
ITEM	PART NAME	MATERIAL	STANDARD
1	BODY	GGG50/GJS500	DIN 1693/ BS EN 1563
2	BALL	STAINLESS STEEL	ISO 4633
3	GASKET	NBR/EPDM	
4	BONNET	GGG50/GJS500	DIN 1693/ BS EN 1563

DIMENSIONS.

DN	OUTLINE mm		END FLANGE PN10/16-CL125/150 mm								
	L	H	EN1092-2			ASME B16.1/B16.42			AS4087		
			D	K	n - d	D	K	n - d	D	K	n - d
50	270	172	165	125	4 x Ø19	152	120.5	4 x Ø19	-	-	-
65	270	200	185	145	4 x Ø19	178	139.5	4 x Ø19	-	-	-
80	345	235	200	160	8 x Ø19	191	152.5	4 x Ø19	185	146	4 x Ø18
100	360	265	220	180	8 x Ø19	229	190.5	8 x Ø19	215	178	4 x Ø18
150	440	320	285	240	8 x Ø22	270	241.5	8 x Ø22	280	235	8 x Ø18
200	470	340	340	295	8 x Ø22/12 x Ø22	343	298.5	8 x Ø22	335	292	8 x Ø18

DOUBLE BALL RELEASE VALVE, PN10/16

APPLICATION

SIZE	DN50 - 200
CLASS	PN10/16 CL 125/150
DESIGN	EN 1074-4
END FLANGE	EN 1092-2, ASME B16.1/ B16.42, AS4087
TESTS	EN 12266

MATERIAL LIST

STANDARD MATERIALS OF MAIN PARTS			
ITEM	PART NAME	MATERIAL	STANDARD
1	COVER	GGG50/GJS500	DIN 1693/ BS EN 1563
2	BODY	GGG50/GJS500	DIN 1693/ BS EN 1563
3	BALL	WOOD/STAINLESS+EPDM	
4	STEM	X20Cr13/420	EN 10088-1/ASTM A959

DIMENSIONS.

DN	OUTLINE mm		END FLANGE PN10/16-CL125/150 mm								
	L	H	EN1092-2			ASME B16.1/B16.42			AS4087		
			D	K	n - d	D	K	n - d	D	K	n - d
50	430	285	165	125	4 x Ø19	152	120.5	4 x Ø19	-	-	-
80	470	305	200	160	8 x Ø19	191	152.5	4 x Ø19	185	146	4 x Ø18
100	510	335	220	180	8 x Ø19	229	190.5	8 x Ø19	215	178	4 x Ø18
150	655	445	285	240	8 x Ø23	270	241.5	8 x Ø22	280	235	8 x Ø18
200	785	505	340	295	8 x Ø23/12 x Ø23	343	298.5	8 x Ø22	335	292	8 x Ø18