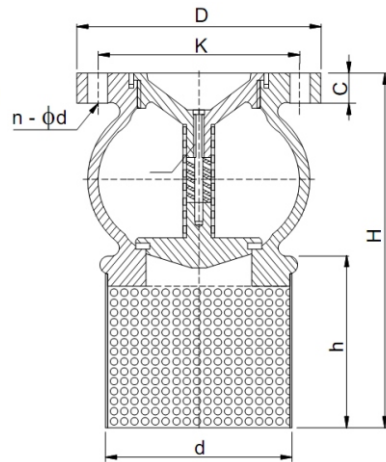


## FOOT VALVE. PN10/16



### DESCRIPTION

Cast Iron Foot Valve provides high tightness during valve closure. This valve is installed at the pumps suction pipe to prevent fluids from anti syphon when the pumps stop. It is also featured with a stainless steel screen, protecting pumping equipment from the entry of foreign objects of damaging impellers and others pump components.

Cast Iron Foot Valve is designed with compact construction and is maintenance free. This Valve is widely used in process industries such as Palm Oil and Refinery Plant, petrochemical, Water Treatment Plant and Cooling System.

### APPLICATION

Suitable for water, oil and others non-abrasive media (Refer to corrosion resistance table for valve materials selection)

### MATERIAL LIST & DIMENSIONS.

STANDARD MATERIALS OF MAIN PARTS			
ITEM	PART NAME	MATERIAL	STANDARD
1	Body	GG25/GGG50/GJL250/GJS500	DIN 1691/1693;BS EN1561/1563
2	Disc Ring	EPDM/NBR	EPDM/NBR
3	Disc	GG25/GGG50/GJL250/GJS500	DIN 1691/1693;BS EN1561/1563
4	Gasket	EPDM/NBR	EPDM/NBR
5	Bonnet	GG25/GJL250	DIN 1691/BS EN 1561
6	Screen	Stainless Steel X5CrNi 18-10, 1.4301	Stainless Steel X5CrNi 18-10, 1.4301

DN	H	h	D	K	n-d	d	C
50	250	129	165	125	4 x Ø19	165	19
65	280	129	185	145	4 x Ø19	185	19
80	290	129	200	160	8 x Ø19	200	19
100	300	129	220	180	8 x Ø19	220	19
125	310	129	250	210	8 x Ø19	250	19
150	323	134	285	240	8 x Ø23	285	19
200	344	134	340	295	8 x Ø23/12 x Ø23	340	20
250	369	138	395/405	350/355	8 x Ø23/12 x Ø28	405	22
300	389	138	445/460	400/410	8 x Ø23/12 x Ø28	460	24.5